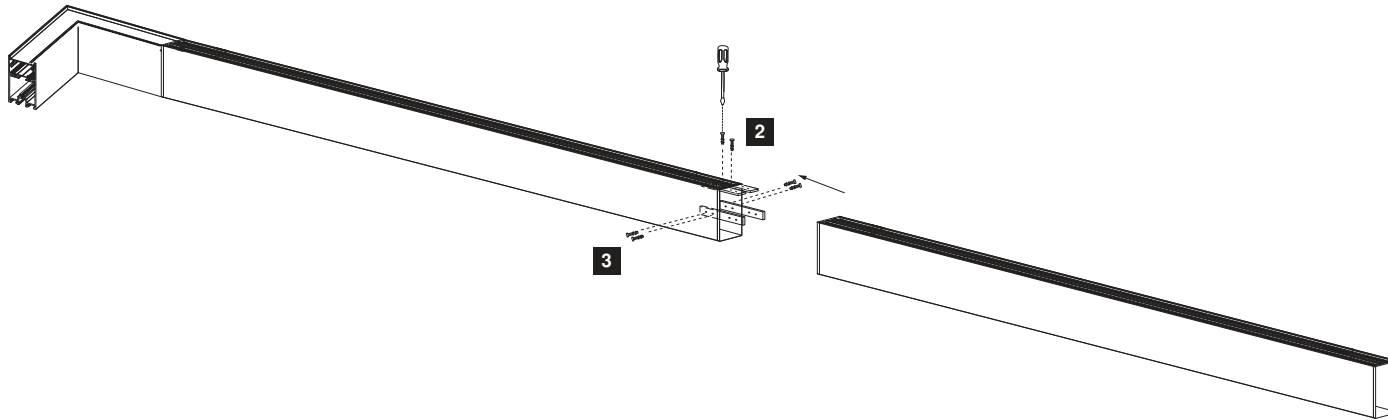
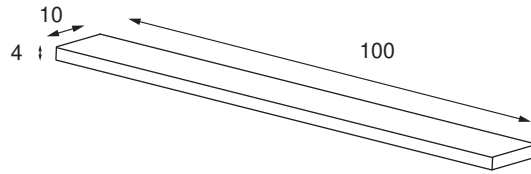


Continuous accessory for VIA

surface, pendant & recessed

refs. see www.faro.es



i Assembly example

